

PROJECT:	W.O. # :
PM/CAM :	DATE :
PROJECT PHASE:	BLDG #:

ADA COMPLIANCE INSPECTION

Note that when ADA guidelines provide a range, the element *must* be within the range. There is no additional tolerance allowed, because a range has already been provided.

_____ Accessible sinks and counters

- a) 34" max to rim of sink or front edge of counter, whichever is higher
- b) Required knee and toe clearance: 27" knee clearance extending 8" deep, transitioning to 9" toe clearance at 11" deep (see attached 2010 ADA Figure 306.3)

_____ Wheelchair accessible toilet stalls

- a) Required clearance: 60" wide x 56" deep for wall mounted toilets, 60" wide x 59" deep for floor mounted toilets. Toilet opposite door, door within 4" of adjacent wall/partition. (see attached 2010 ADA Figure 604.8.1.2)
- b) self-closing doors with pulls on both sides
- c) door hardware mounted 34" min to 48" max AFF to top of gripping surface
- d) hooks mounted no higher than 48" AFF

_____ Accessible toilets

- a) Top of grab bar 33" min to 36" max AFF to top of gripping surface. 1 1/2" space between finished wall surface and grab bar, 1 1/2" space between grab bar and projecting objects below or at the end of the bar.
- b) See attached 2010 ADA Figures 604.5.1, 604.5.2 for additional grab bar information
- c) Toilet centerline 16" min to 18" max from finished side wall surface
- d) Toilet seat height 17" min to 19" max AFF
- e) Toilet paper dispenser 7" min to 9" max from front of toilet to centerline of dispenser
- f) Required 60" clear betw toilet side wall and any other plumbing fixture (such as sink).
Exception: residential dwelling unit sinks can be mounted 18" min from toilet centerline if toilet clearance (measured perpendicular from rear wall) is 66" deep

_____ All accessible soap dispensers, paper towel dispensers, baby changing tables etc:

comply w/ reach ranges (typ forward unobstructed reach range is 15" min to 48" max AFF)

_____ Doors along the accessible route (clearance from door to obstructions)

- a) Push side of door: generally 12" clearance beyond the latch if door has both closer *and* latch; otherwise no requirement
- b) Pull side of door: always 18" clearance beyond the latch
- c) Doors recessed >8" in thick walls/casework: push side 12" clearance *at face of frame* if door has closer and latch; pull side 18" *at face of frame* always (see attached 2010 ADA Figure 402.4.3)

PROJECT:	W.O. # :
PM/CAM :	DATE :
PROJECT PHASE:	BLDG #:

Wall projections along the accessible route or in required clearance space:

- a) Wall projections (such as drinking fountains, open awning/casement windows, etc) mounted between 27" and 80" AFF must protrude <4" horizontally into the circulation path. (Note: the standard UVA surface mounted paper towel dispenser projects >4" and therefore can conflict with the circulation path or clear approach to a fixture)
- b) Handrails can project no more than 4 ½" horizontally into the circulation path

Handrails: Top of gripping surface 34" min to 38" max AFF, or measured vertically from nose of stair tread

This checklist is not all-inclusive. It does not cover issues such as showers, ramps, etc. If you have any questions about accessibility, please call the Office of University Building Official and ask for the ADA inspector.

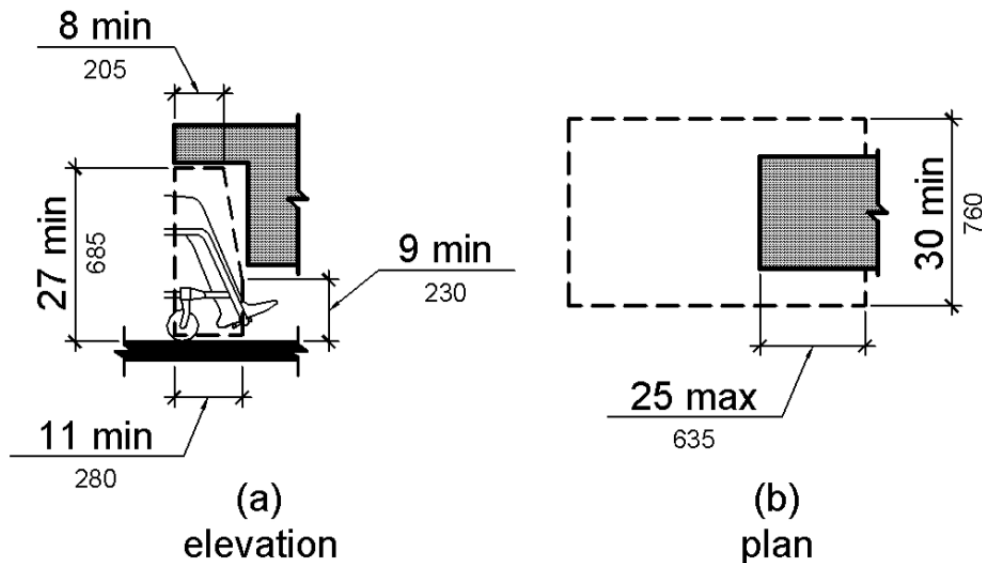


Figure 306.3
 Knee Clearance
 (© 2010 ADA Standards)

PROJECT:
PM/CAM :

W.O. # :
DATE :

PROJECT PHASE:

BLDG #:

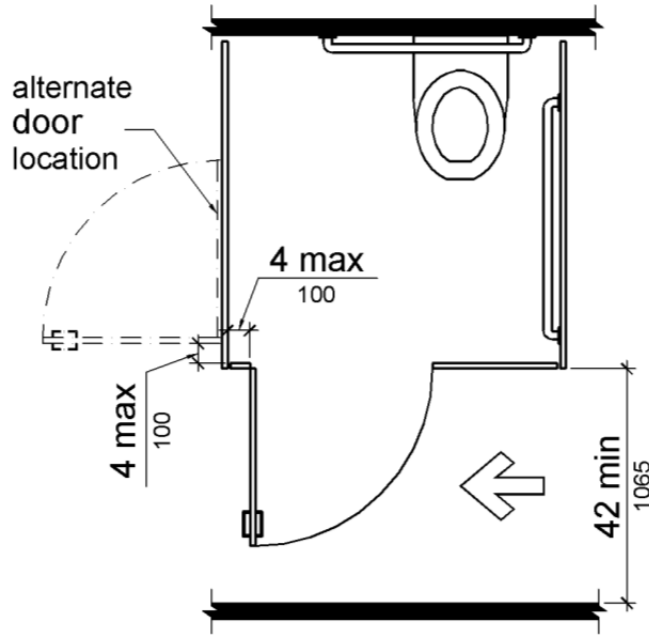


Figure 604.8.1.2
Wheelchair Accessible Toilet Compartment Doors
 (© 2010 ADA Standards)

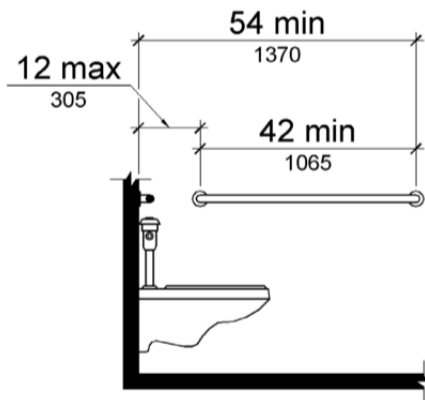


Figure 604.5.1
Side Wall Grab Bar at Water Closets
 (© 2010 ADA Standards)

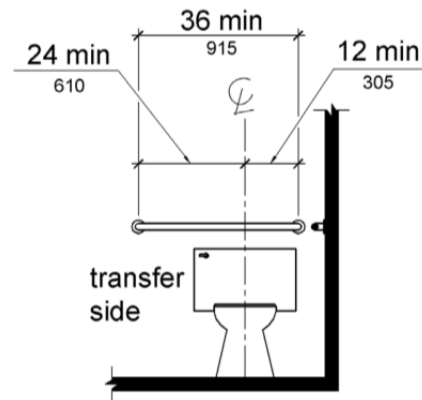


Figure 604.5.2
Rear Wall Grab Bar at Water Closets
 (© 2010 ADA Standards)

PROJECT:
PM/CAM :

W.O. # :
DATE :

PROJECT PHASE:

BLDG #:

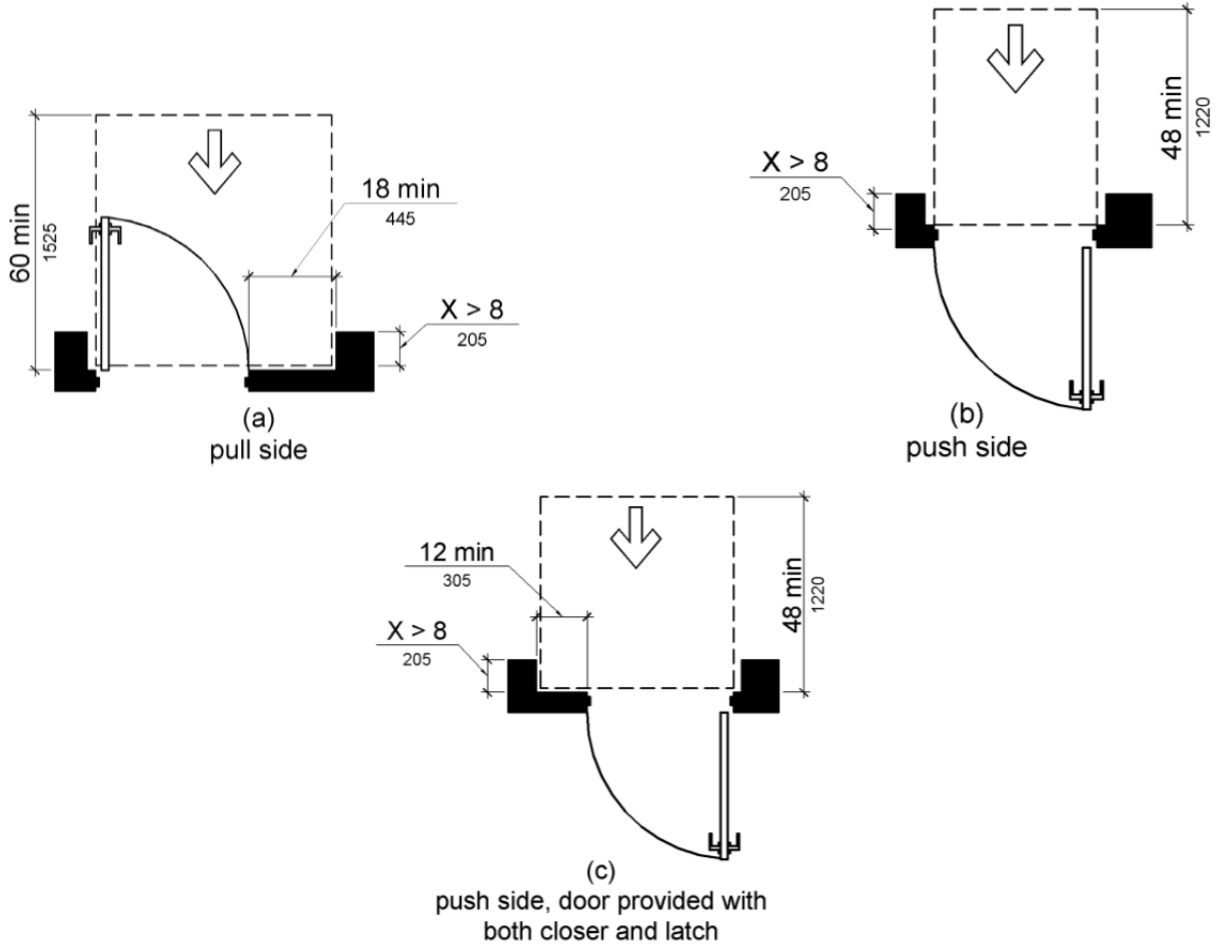


Figure 404.2.4.3
Maneuvering Clearances at Recessed Doors and Gates
(© 2010 ADA Standards)